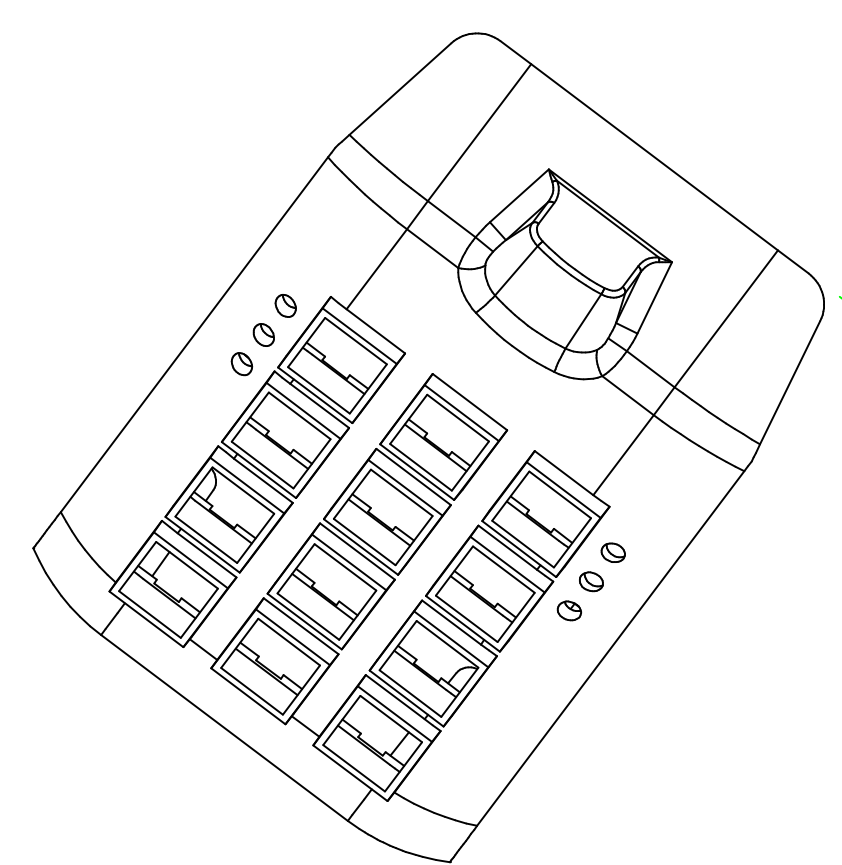
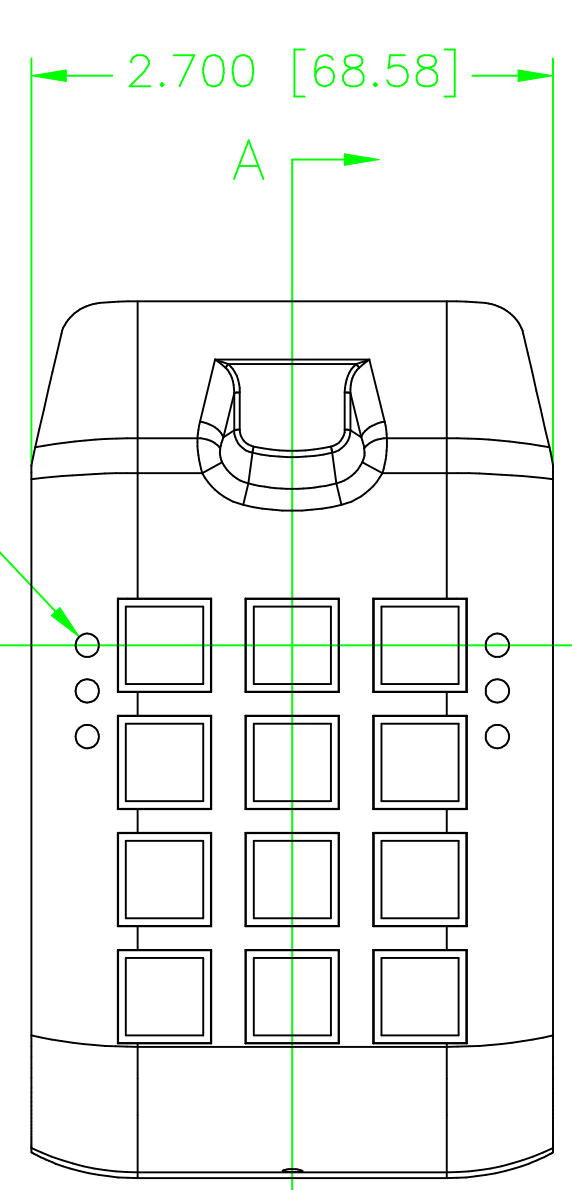
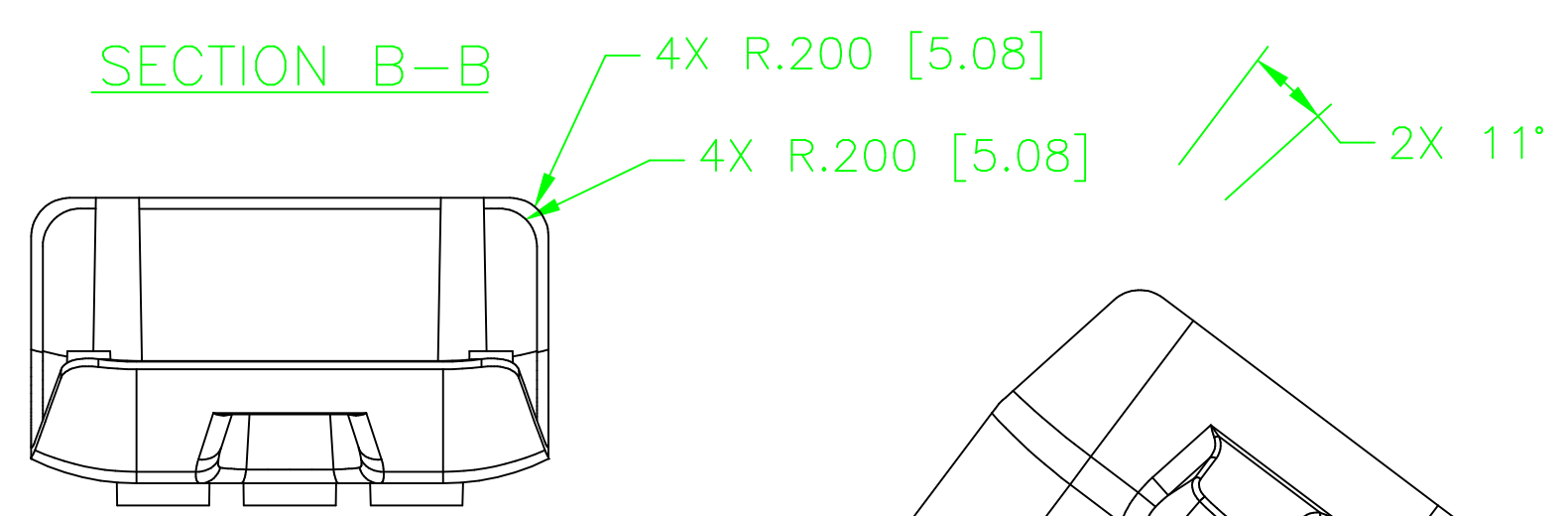
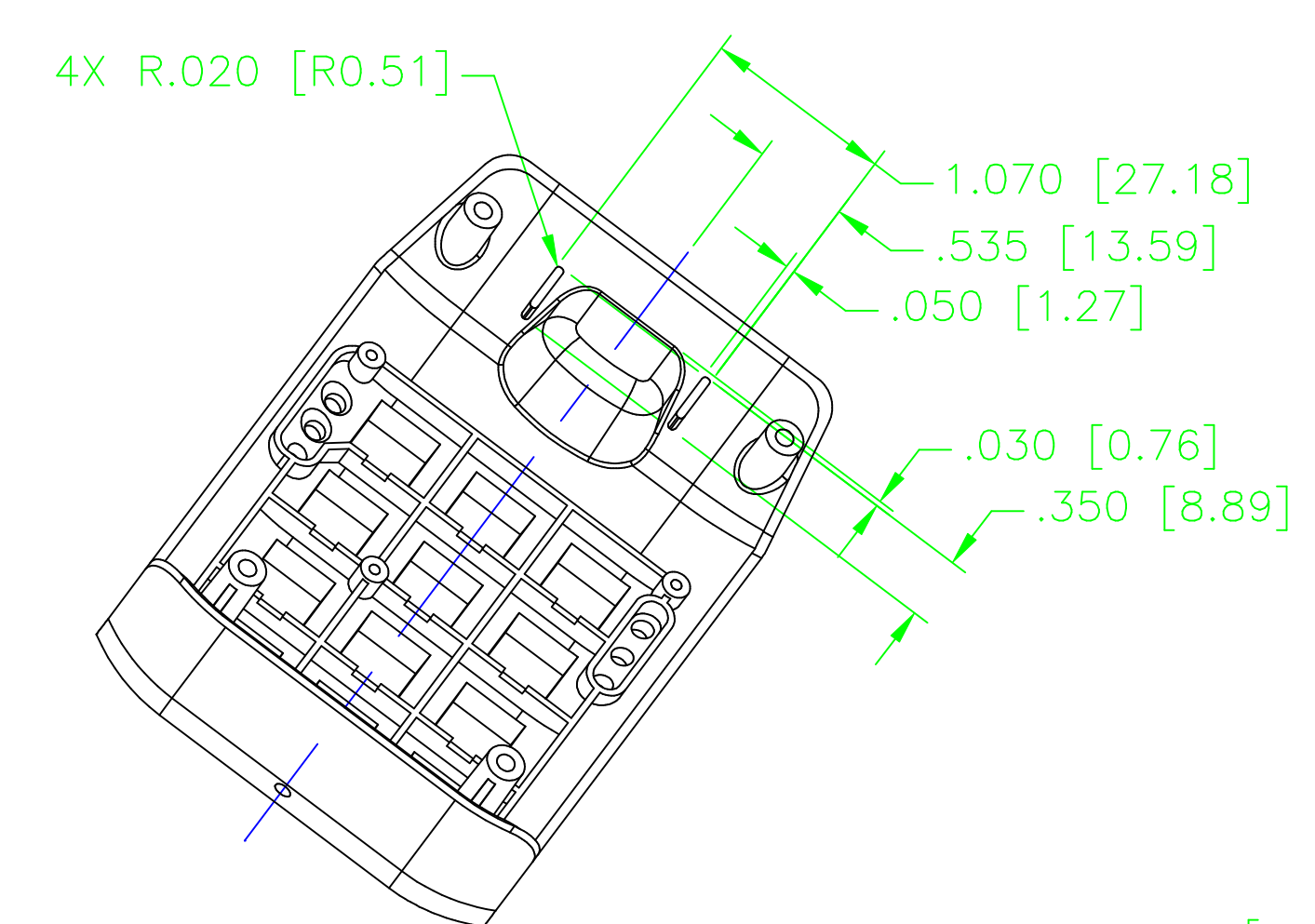
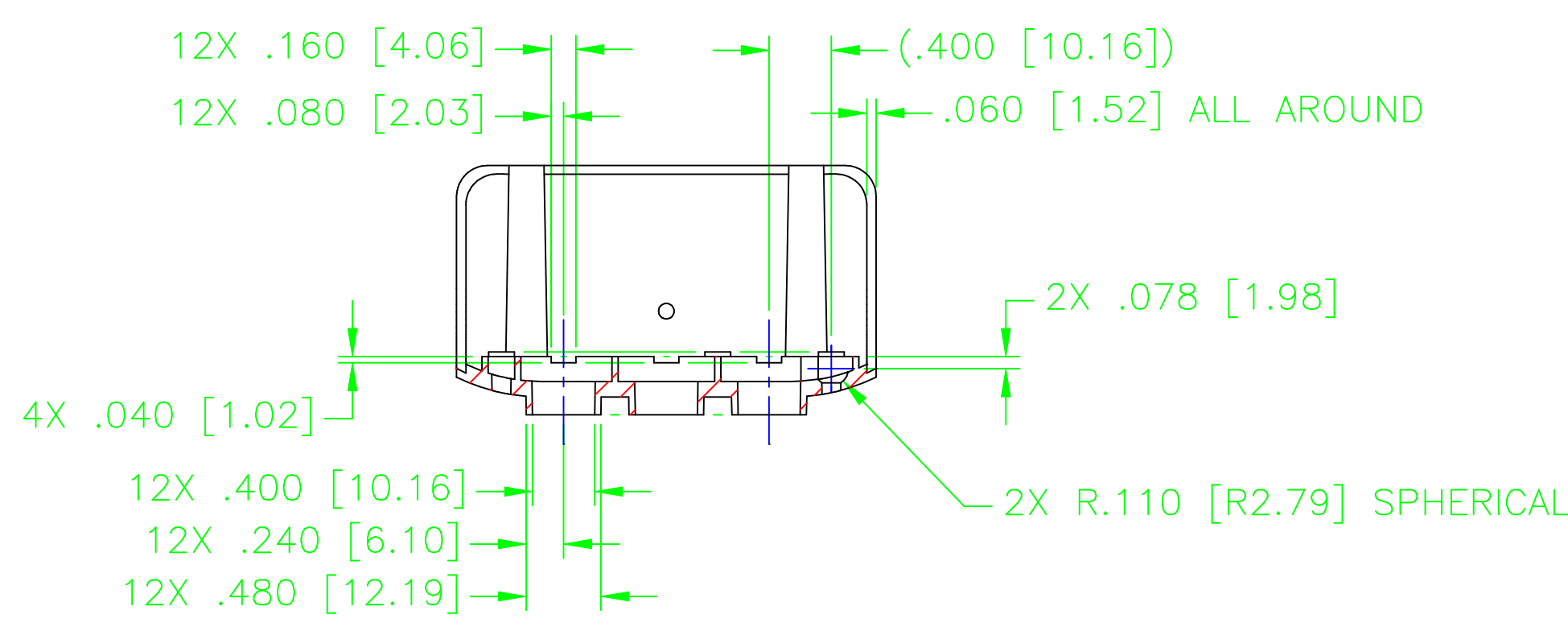
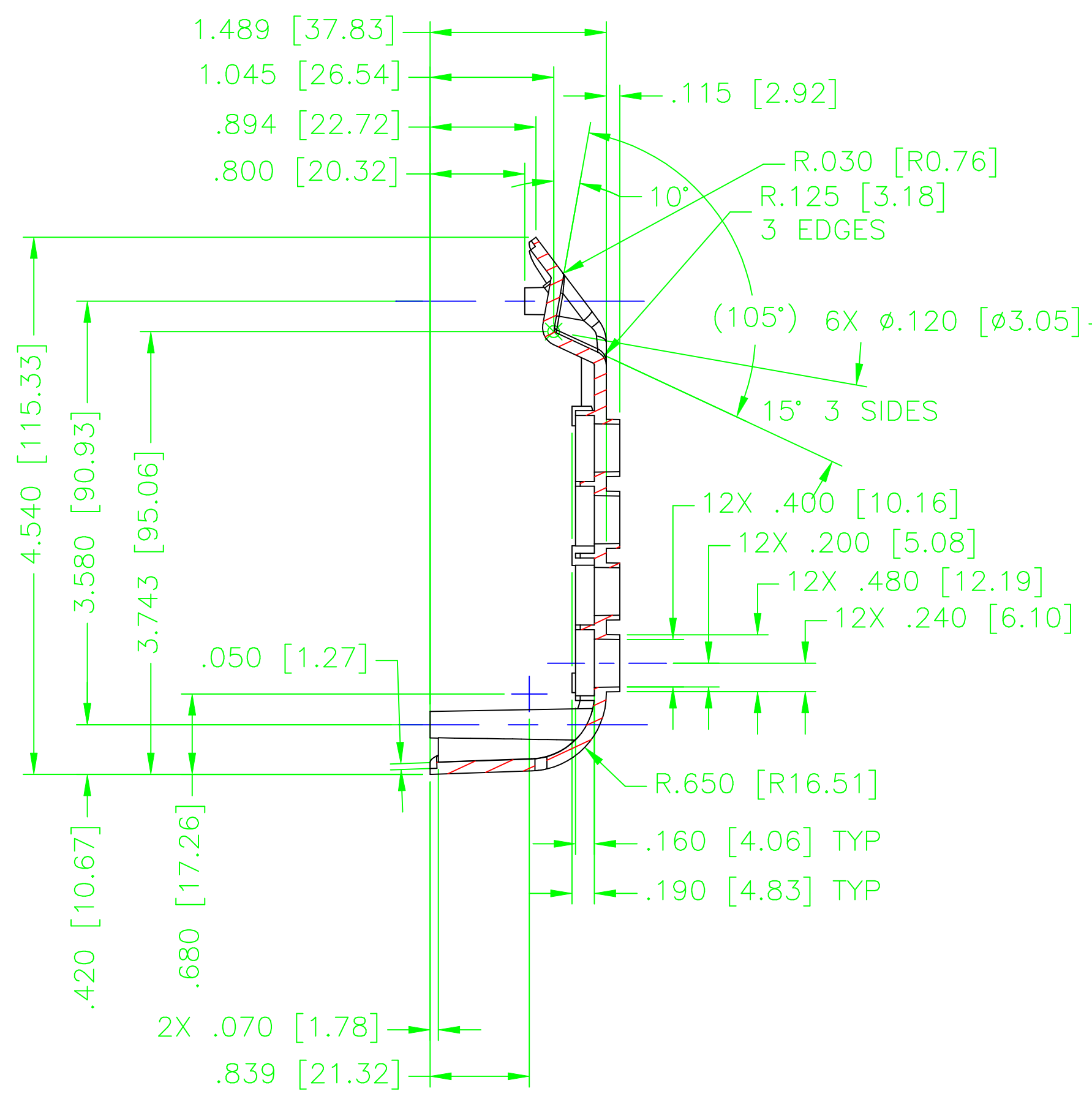
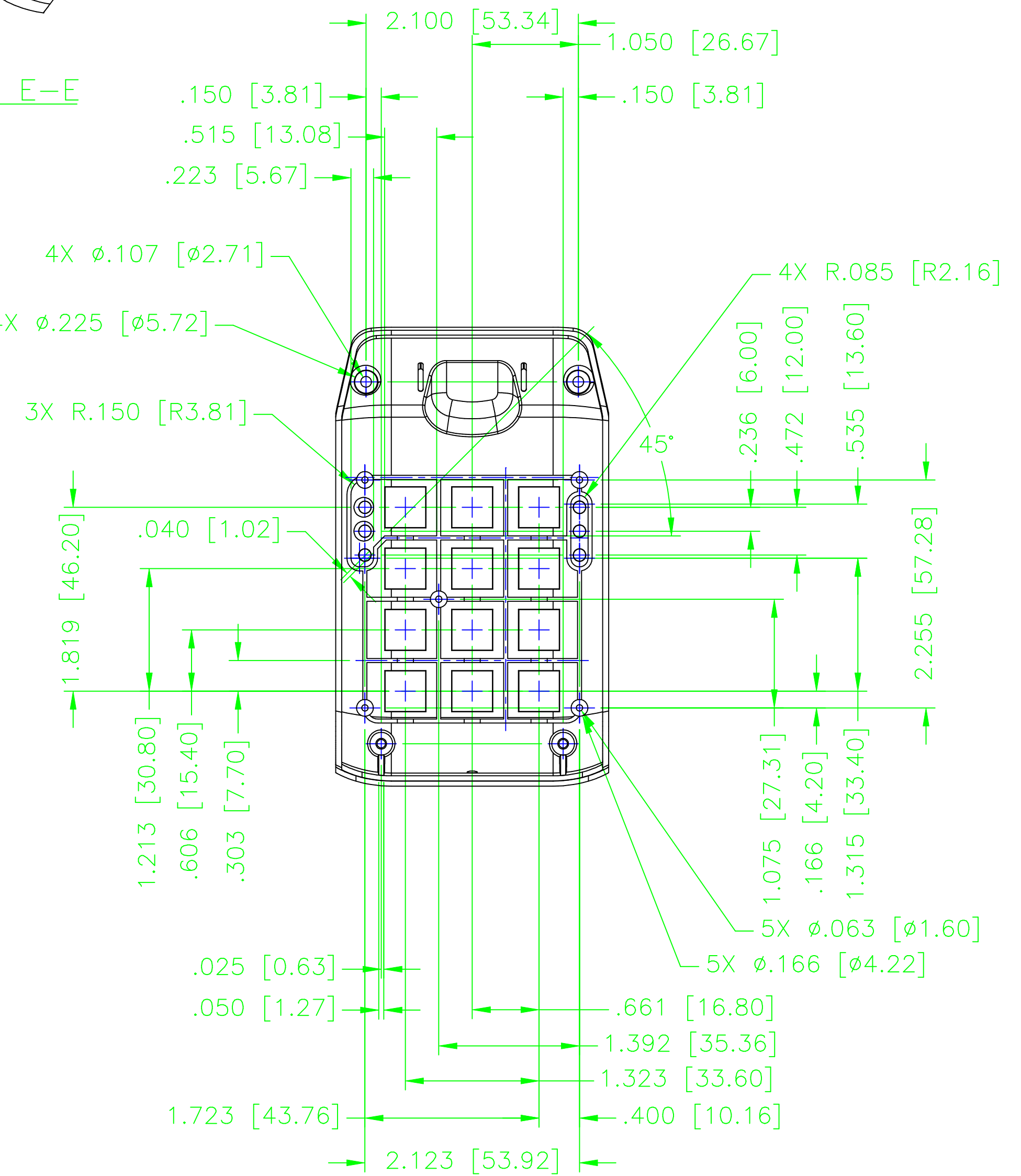


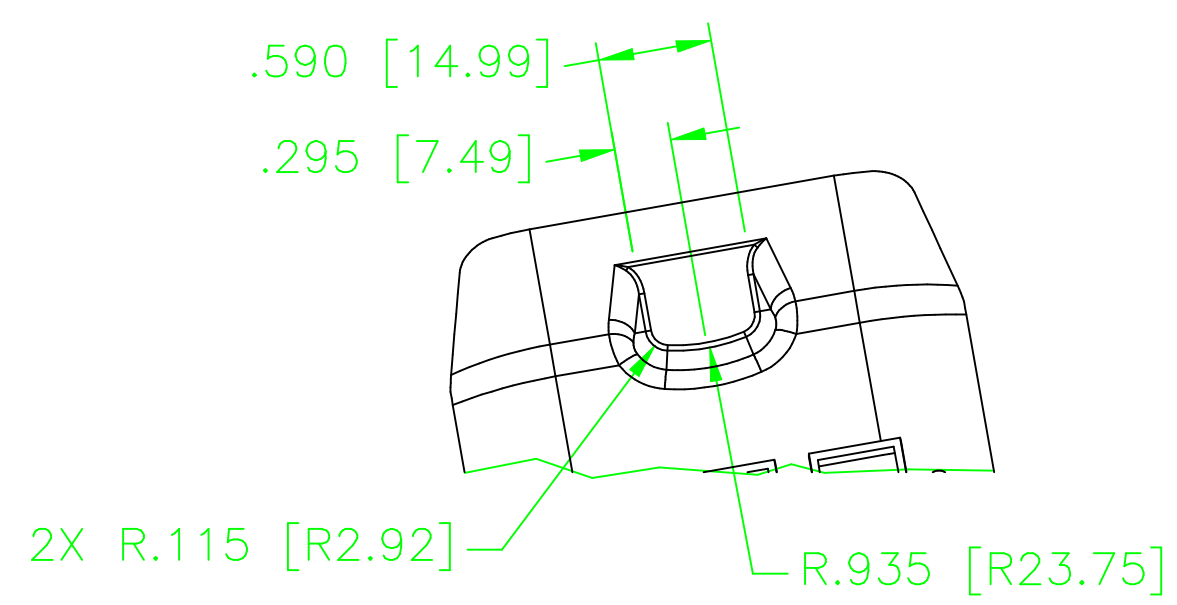
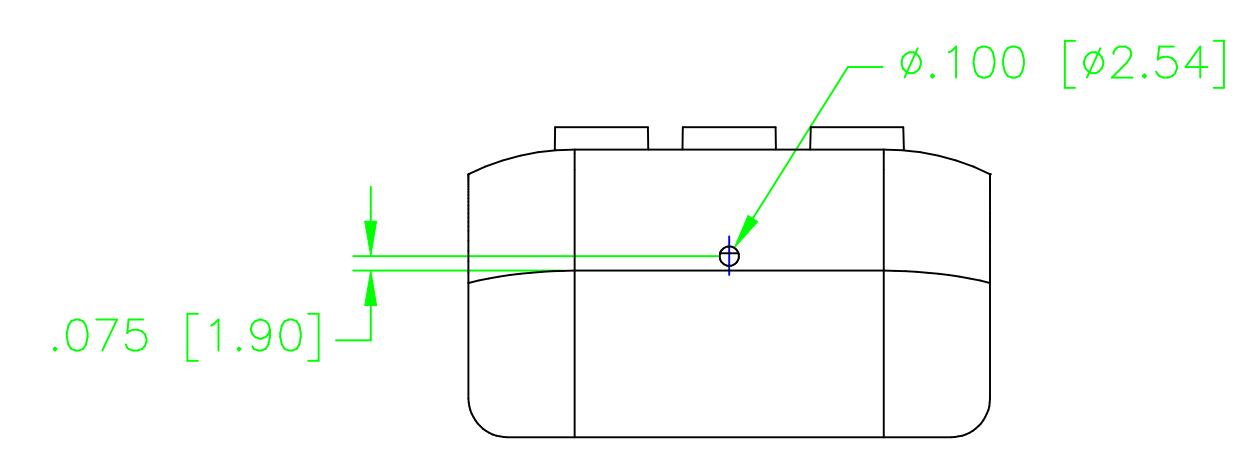
REV	ECN	DESCRIPTION	DWN	CHK	ENG	DATE
0	N/A	PRELIMINARY RELEASE	MVD	CMW	SMD	6-02



VIEW E-E



SECTION A-A



VIEW D-D

- NOTES:
- MATERIAL: GE 943 POLYCARBONATE UV RESISTANT UL RATED-94V0
COLOR: BLACK UV RESISTANT PIGMENT.
 - FINISH: SURFACES INDICATED, MT-11020
 - UNLESS OTHERWISE SPECIFIED:
NOMINAL WALL= .100 [2.50]
DRAFT ANGLE= 2°
RIB THICKNESS= .040 [1.00]

THIRD ANGLE PROJECTION	DRAWN BY: MVD	DATE: 6-26-02	
DO NOT SCALE DRAWING	DESIGNED BY: D.E.S.	DATE: 6-26-02	CUST. NO. LS-2
TOLERANCES XX = ±.01 XXX = ±.005 ANGLE = ±0.5°	MECH. ENG.		PART NO. 411-5845
SIZE D FULL 1 OF 2	MATERIAL	SEE NOTES	DESCRIPTION PLASTIC KEYPAD INSERT