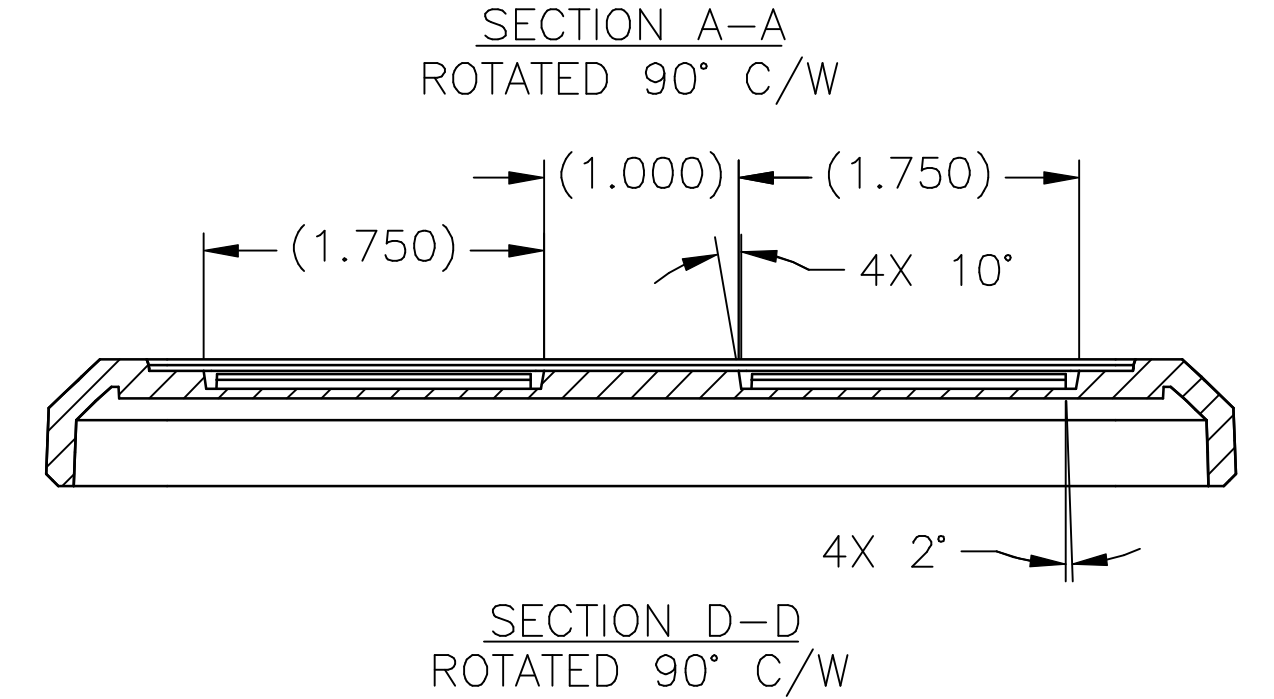
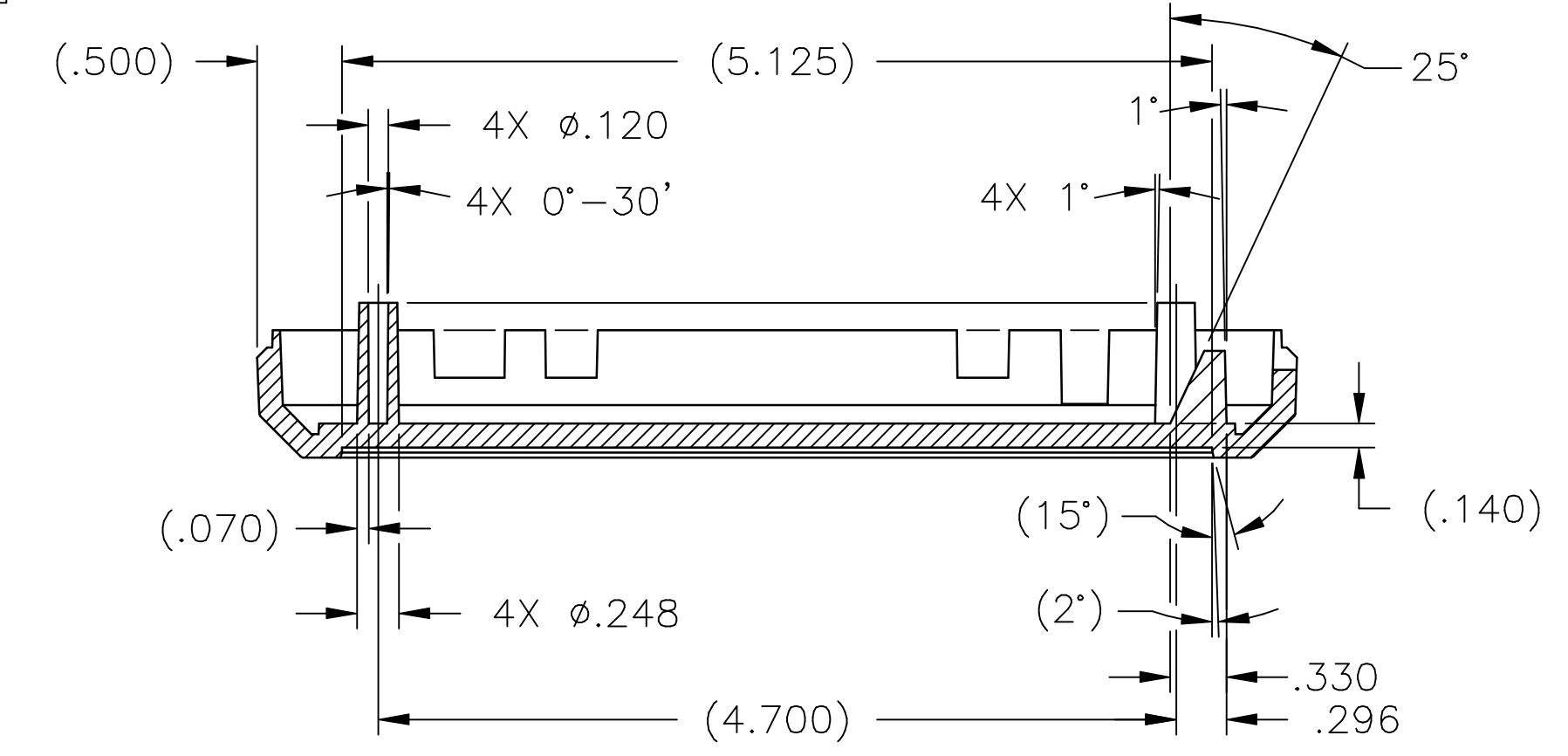
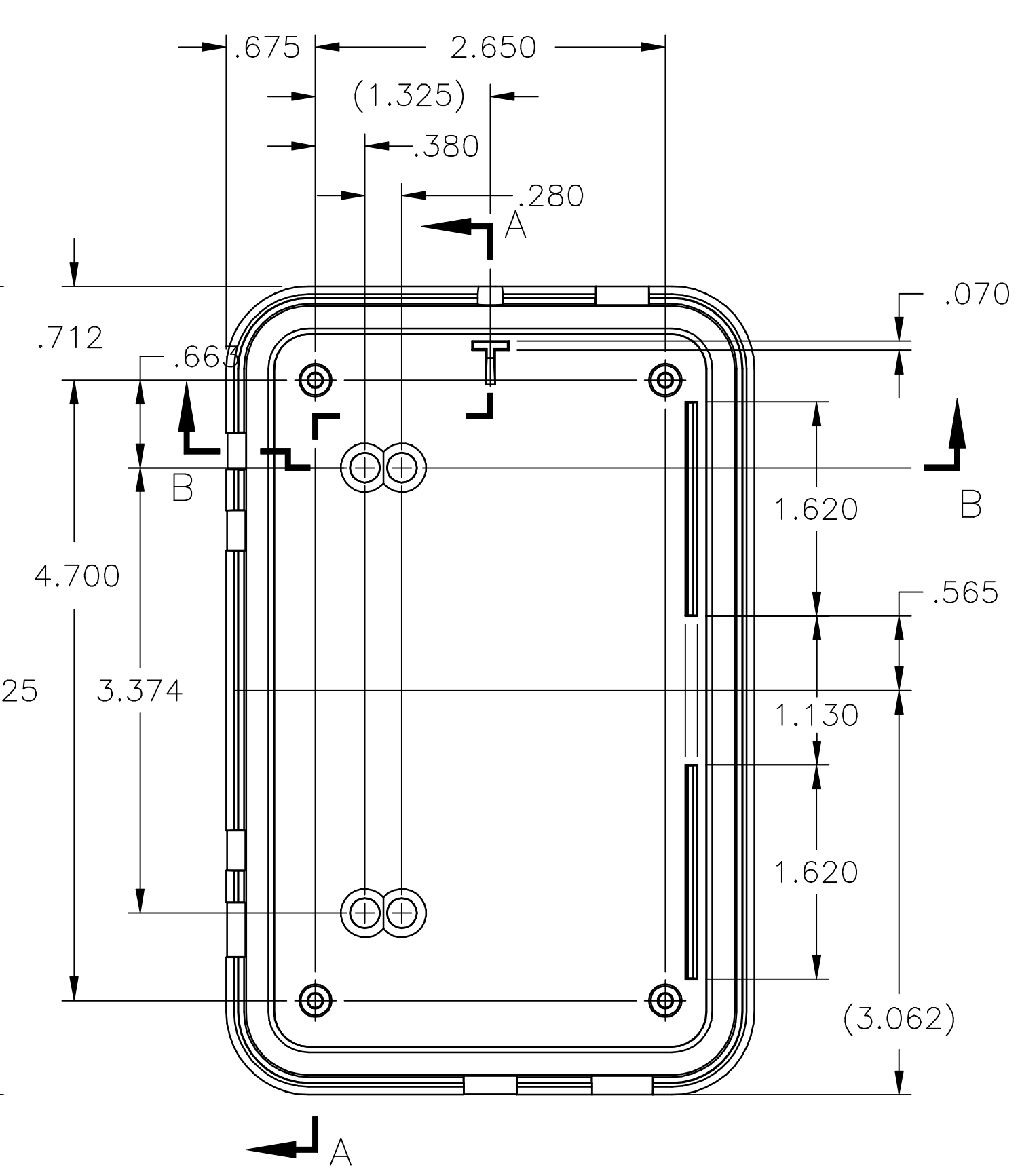
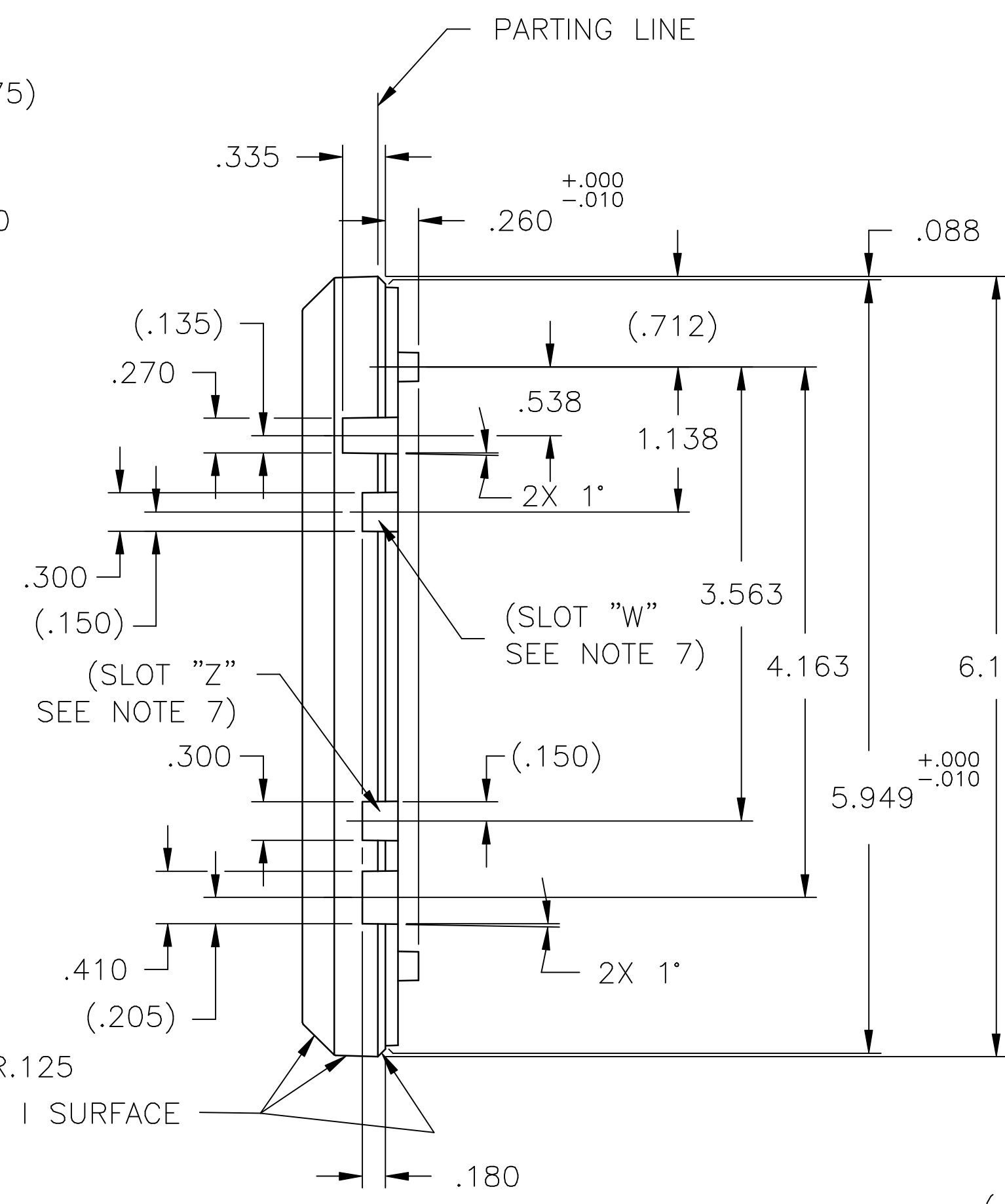
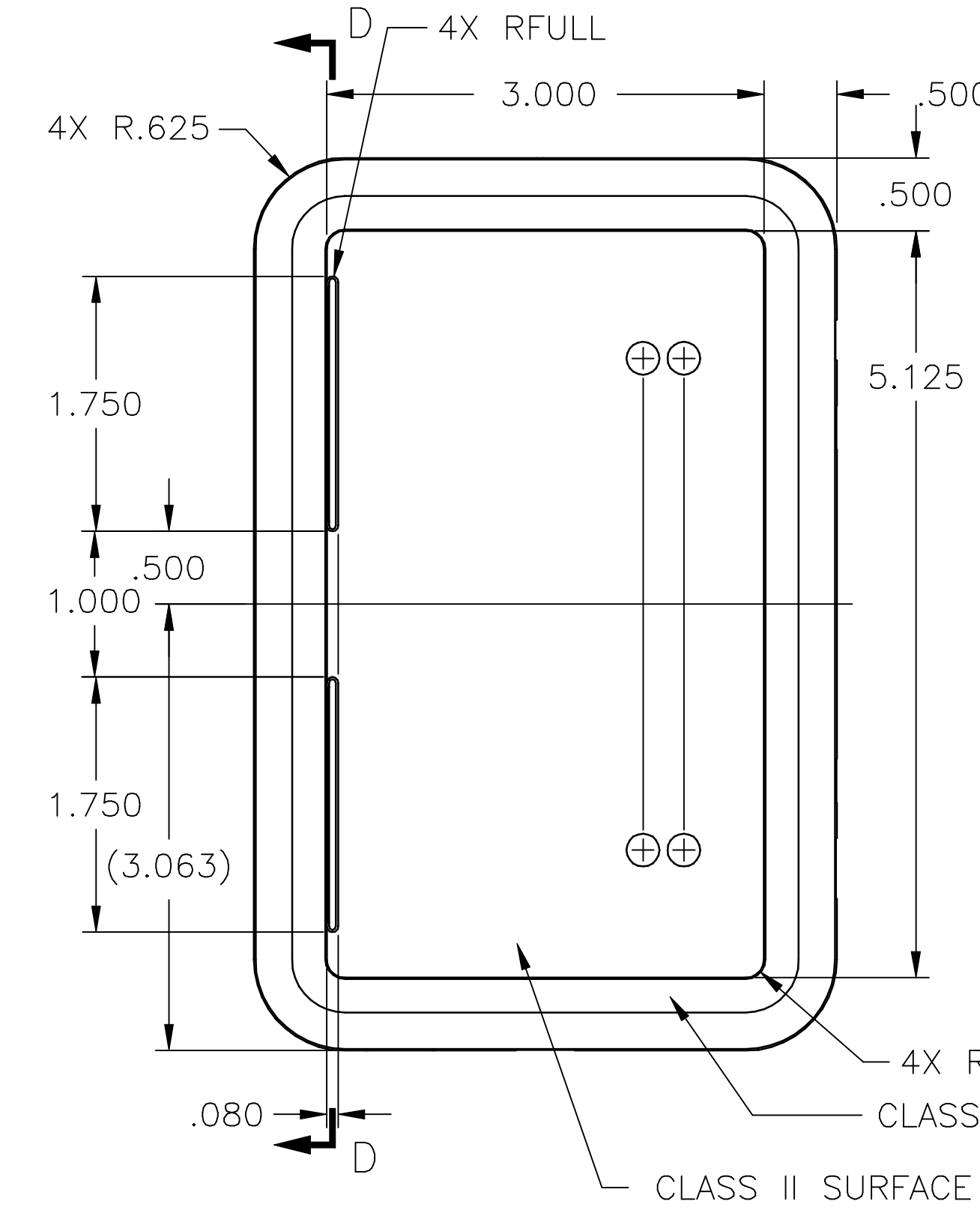


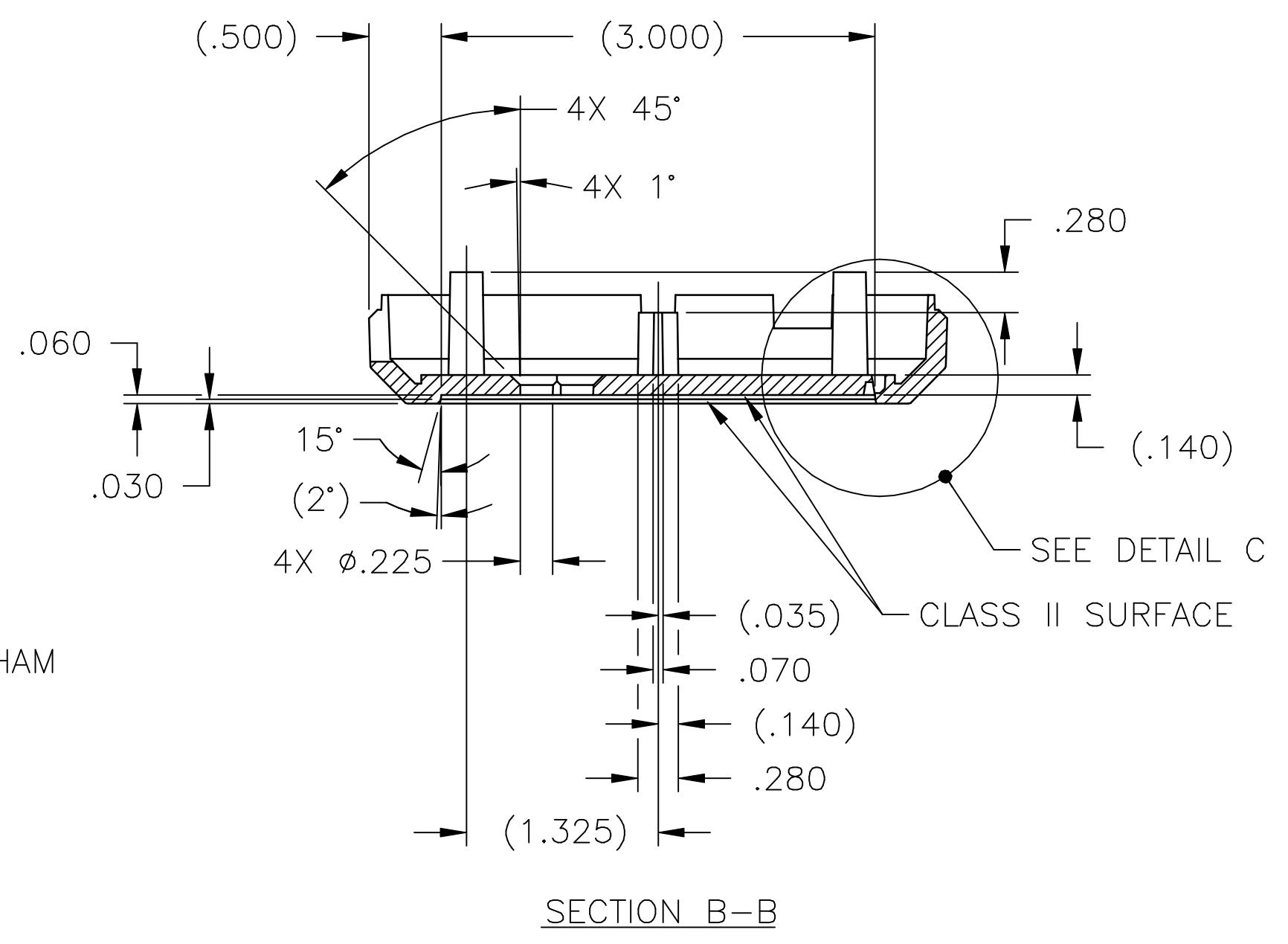
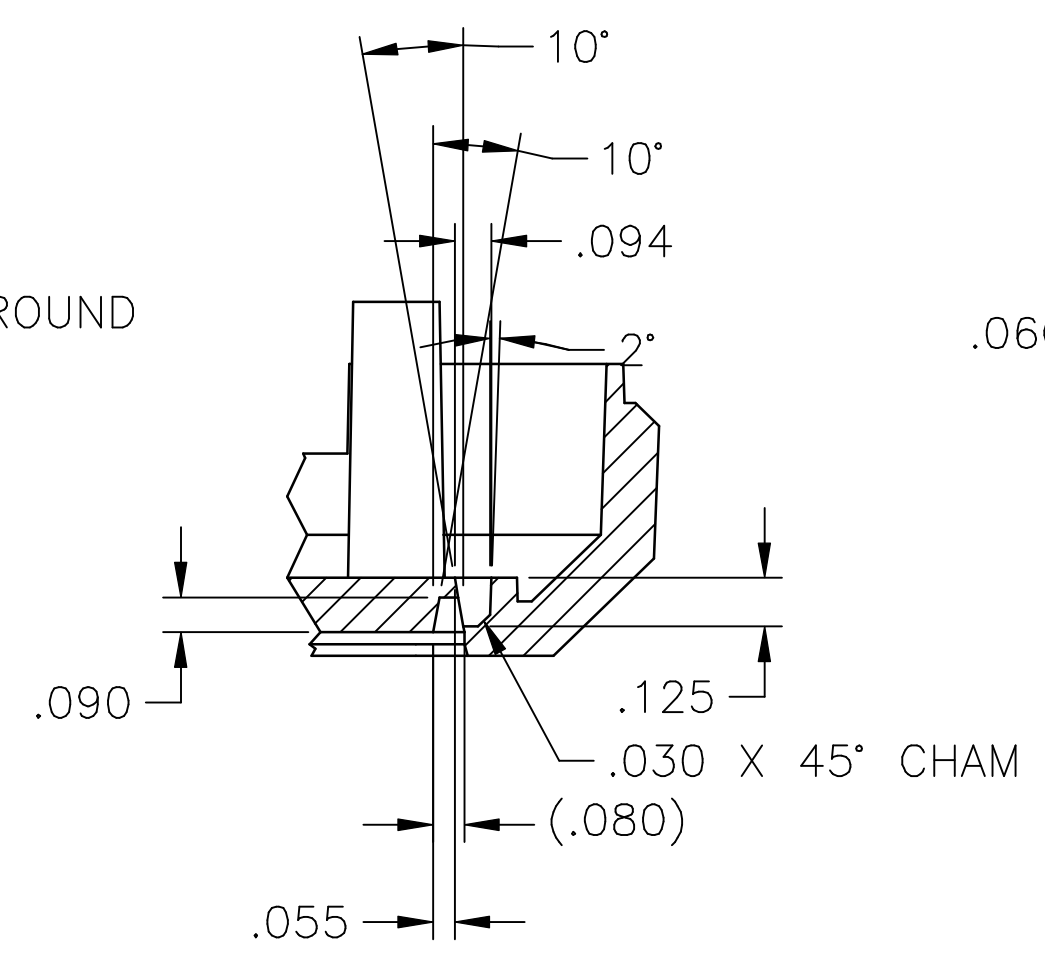
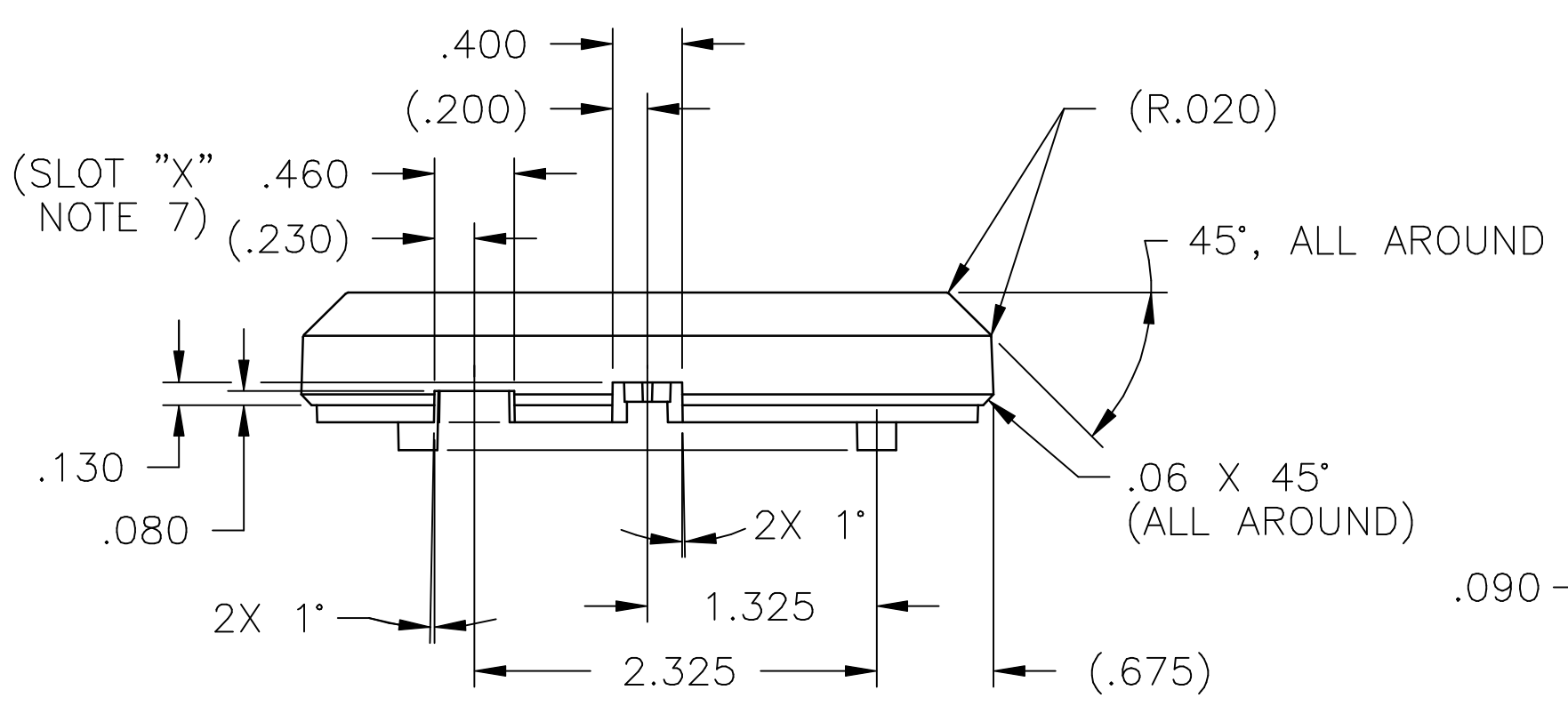
MODEL	PART NO.	COLOR	SLOT "X"	SLOT "Y"	SLOT "Z"	SLOT "W"
T-200/300	300100-1	OFF WHITE BAYBLEND #1441-2190	YES	YES	YES	NO
T-150	300100-2	OFF WHITE BAYBLEND #1441-2190	NO	NO	YES	NO
T-75	300100-3	BLACK	NO	NO	YES	NO
T-50	300100-4	BLACK	NO	NO	NO	NO
T-25	300100-5	OFF WHITE BAYBLEND #1441-2190	NO	NO	NO	NO
T-300B	300100-6	LIGHT GREY #MAH-014 (NOTE 2)	YES	YES	YES	YES
T-100	300100-7	LIGHT GREY #MAH-014 (NOTE 2)	NO	NO	NO	YES
T-75G	300100-8	BLACK	NO	NO	NO	YES
T-2000/3000	300100-9	LIGHT GREY #MAH-014 (NOTE 2)	YES	YES	YES	YES
T-1000	300100-10	LIGHT GREY #MAH-014 (NOTE 2)	NO	NO	NO	YES

ZONE	REV.	DESCRIPTION	DATE	APPROVED
	1	PRELIMINARY RELEASE	11/2/92	
	2	REVISED & UPDATED	12/22/92	
	3	CHANGED DEPTH OF .094R, ADDED .300 SLOT, MOVED LED HOLES, .380 WAS .485.		
	4	CHANGED .094R TO .117R, CHANGED DEPTH FROM .109 TO .132, CHANGED BOTTOM EDGE SLOTS .335 WAS .360, .180 WAS .190, .180 WAS .200, BOTTOM END VIEW SLOT DIM .130 WAS .150, .080 WAS .100, ADDED .290 X .070 RIB.	2/3/93	
	A	INITIAL PRODUCTION RELEASE	5/13/93	
	B	ADDED COLOR/SLOT TABLE & ASSOCIATED NOTES	10/14/94	
	C	ADDED 2ND .300 WIDE SLOT 'W', CHANGED MAT'L DESCRIPTION, ADDED -6,7,8, ADDED MODEL CHART	2/19/98	
	D	4X Ø.225 & 4X 45° CHAM WAS 2X, ADDED -9,10 ADDED COOLING SLOTS	7/20/99	



NOTES:

- REFER TO CUSTOMER SPECIFICATION FOR END PRODUCT QUALITY FOR MOLDED PLASTIC PRODUCTS.
- MATERIAL: BLACK MAT'L- FLAME RETARDANT ABS/PC ALLOY, BAYBLEND T65MN ALL OTHER COLORS- FLAME RETARDANT ABS/PC ALLOY, BAYBLEND FR100 SUGGESTED SOURCE: M.A. HANNA, LEOMINSTER, MA.
- UNLESS OTHERWISE SPECIFIED:
 - A. DRAFT ANGLE: 2.0°
 - B. NOMINAL WALL THICKNESS: .140
 - C. MAXIMUM RIB THICKNESS: .070
 - D. EXTERNAL RADII: .020
 - E. INTERNAL RADII: .020
 - F. SHARP CORNERS: .010 RADIUS
- FINISH: CLASS I (TEXTURED) SURFACES TO BE PER EDM WHERE INDICATED. CLASS II SURFACES WHERE INDICATED. ALL OTHER SURFACES TO BE CLASS III. (REFER TO DOGWATCH, INC SPECIFICATION FOR INTERPRETATION OF CLASSES).
- MATING PARTS ARE: BOTTOM CASE, TRANSMITTER, P/N 300101
- PART NUMBER AND REVISION LETTER IS TO BE MOLDED ON AN INTERNAL SURFACE IN .16 HIGH CHARACTERS.
- SLOTS MK'D "W", "X", "Y", "Z" TO BE REMOVEABLE INSERTS FOR "NO SLOT" OPTIONS. SEE TABLE 1.



UNLESS OTHERWISE SPECIFIED		APPROVALS		DATE	TITLE
DIMENSIONS ARE IN INCHES		DRAWN		11/2/92	
TOLERANCES ARE:		J. BANNISTER			
FRACTIONS	DECIMALS	CHECKED			
±1/32	±.01				
.XXX	±.005				
ANGLES		ENGR.			
±0°-30'		P.MGR.			
MATERIAL		MFG.			SIZE
SEE NOTES		QA/REG			CAGE NO
SEE NOTES					DWG. NO.
DO NOT SCALE DRAWING					300100
					SCALE
					FULL
					CAD FILE 300100
					SHEET 1 OF 1